

DOK-GUARDIAN™

SAFETY BARRIERS



DOK-GUARDIAN Heavy-Duty Safety Barrier.

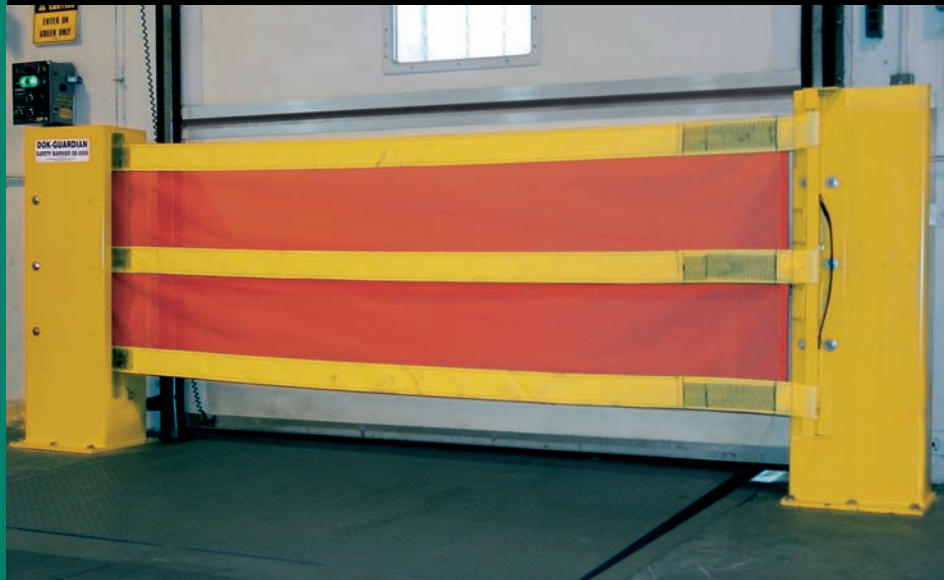
PROTECT YOUR PERSONNEL AND EQUIPMENT.



Vacant loading docks create a dangerous 4' drop-off for dock personnel and material handling equipment. The brutal reality of this dangerous drop-off is often recognized only after it is too late. Rite-Hite has a full line of barrier products to make your loading docks safer. Dok-Guardian Safety Barriers help meet the requirements of OSHA Regulation 1910.23 regarding "protection for wall openings and holes."

RITE·HITE®
ALWAYS LOOKING AHEAD

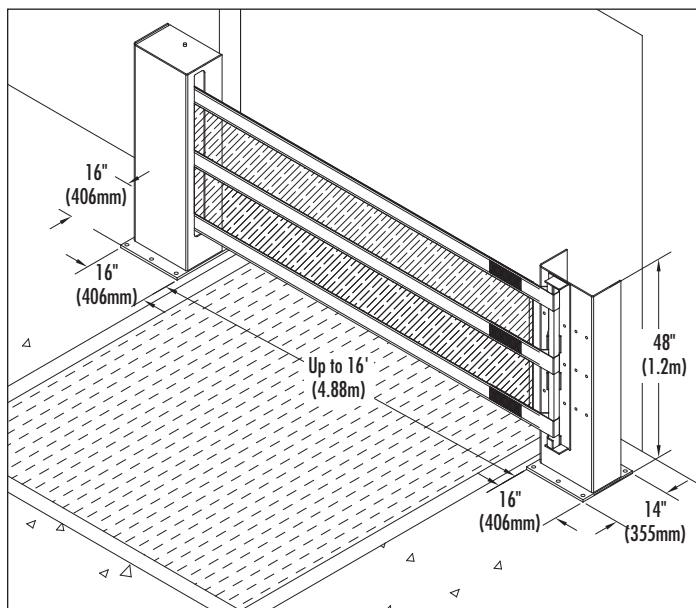
Prevent drop-off accidents on your loading docks.



DOK-GUARDIAN Heavy-Duty Safety Barrier.

DOK-GUARDIAN Heavy-Duty Safety Barrier

- ▶ Helps prevent fork trucks, pallet jacks and pedestrians from falling off the loading dock.
- ▶ Manually positioned barrier easily fits across openings up to 16' (4.9 m) wide.
- ▶ Barrier heightens dock drop-off awareness.
- ▶ Warden™ guards provide excellent door track protection.



Specifications:

- ▶ 48" (1.2 m) tall, 1/4" (6.4 mm) steel Warden door guards (roller side and latching side)
- ▶ Warden guards to be painted safety yellow
- ▶ Utilizes (6) 3/4" (19 mm) x 5 1/4" (133.4 mm) anchors each side (included)
- ▶ 5/8" (15.9 mm) x 16" (406 mm) x 16" (406 mm) base plate (roller side)
- ▶ 5/8" (15.9 mm) x 16" (406 mm) x 14" (355 mm) base plate (latching side)
- ▶ Curtain to be red PVC-coated fiberglass mesh with three heavy-duty polyester safety restraint straps
- ▶ Proper setback from the edge of the dock will be determined by the width of the Dok-Guardian
- ▶ 1-year warranty



Barrier will stop a 10,000-lb. (4536 kg) fork truck traveling up to 4 miles per hour (6.44 kph) with little or no damage to the safety barrier.



Unique Warden "pocket" design.



Full-time Safety Integration

The Dok Guardian Heavy Duty Barrier is designed to integrate with Rite-Hite's powerful Dok-Lok system, to ensure full-time loading dock safety.

The red light on the Dok-Lok control box indicates that the Dok-Guardian's curtain is safely locked across the opening. When the lock button on the Dok-Lok is pressed and the inside light turns green, the Dok-Guardian curtain releases, allowing for loading and unloading of a trailer.



Magnetic Proximity Switch



Electronic Linear Actuator



Dok Guardian Light Duty Barrier

The Dok Guardian Light Duty Barrier will stop a vehicle as heavy as 1,000 lbs. traveling at up to four miles per hour, making it ideal for a loading dock or work area where light duty material handling equipment is used. It also serves as a highly visible warning for operators and pedestrians.



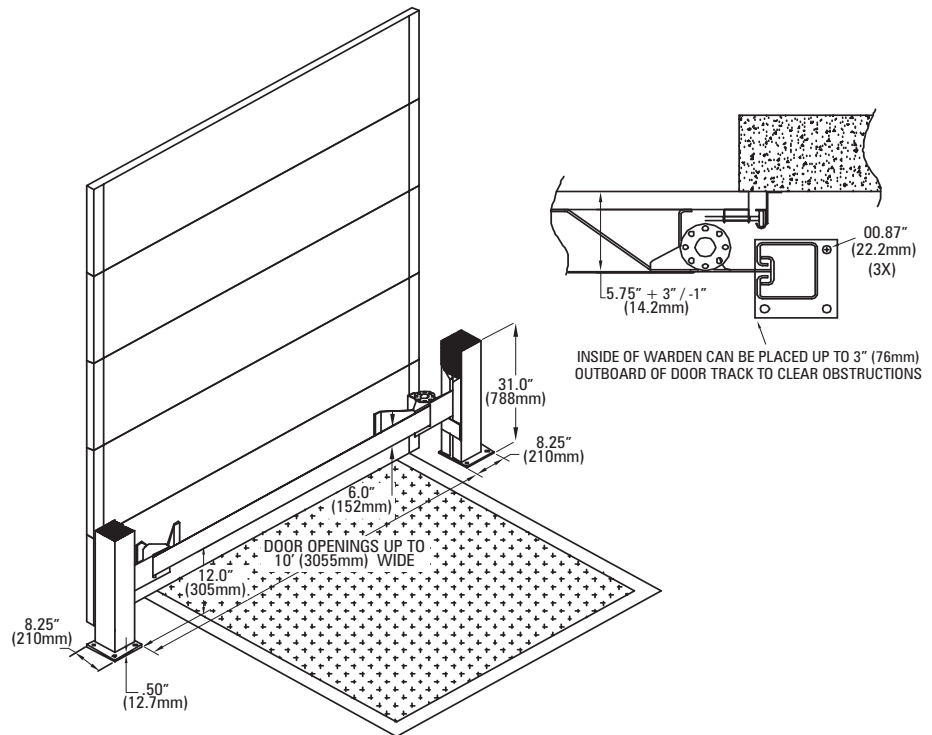
DOK-GUARDIAN™

SAFETY BARRIERS

Door DOK-GUARDIAN Safety Barrier

Able to withstand only 300 to 800 lbs. of force, conventional sectional doors are no match for material handling equipment. The unique Door Dok-Guardian makes loading docks safer by preventing fork trucks from going through closed doors. The Door Dok-Guardian system also reduces door maintenance costs by eliminating most track and bottom panel damage.

- ▶ Loading dock drop-off protection for "closed door policy" facilities.
- ▶ Door Dok-Guardian will stop a 10,000-lb. (4536 kg) fork truck traveling up to 4 mph (6.44 kph) with little or no damage.
- ▶ Helps companies comply with American Institute of Baking (AIB) and Homeland Security Act.
- ▶ Break-away door brackets allow for easy reattachment after significant impact.
- ▶ Heavy-duty nylon strap mounted to bottom door panel automatically positions barrier with the travel of the door.
- ▶ Steel impact brackets attached to ends of strap slide into Warden™ door guards when the door is closed.
- ▶ Door track protection and impactable bottom panel for lower maintenance costs.
- ▶ The heavy-duty Warden door guards are 31" (788 mm) high and constructed of 1/4" (6.4 mm) steel to provide track protection when door is raised for loading/unloading.
- ▶ 1-year warranty.



8900 North Arbon Drive Milwaukee, WI 53223 USA (414) 355-2600 (800) 456-0600 FAX: (414) 355-9248

Mailing Address: Rite-Hite P.O. Box 245020 Milwaukee, WI 53224 USA

www.ritehite.com www.ritehitebarriersystems.com

RITE-HITE®, Frommelt®, Survivor™, RainGuard™, Insulator™, PitMaster™, Neotec™, Durathon™ and Firefighter™ are trademarks of the RITE-HITE Corporation.

A15DGSB0906E

RITE-HITE products may be covered by one or more U.S. Patents with other U.S. and foreign patents pending. RITE-HITE reserves the right to make product improvements without prior notice.

